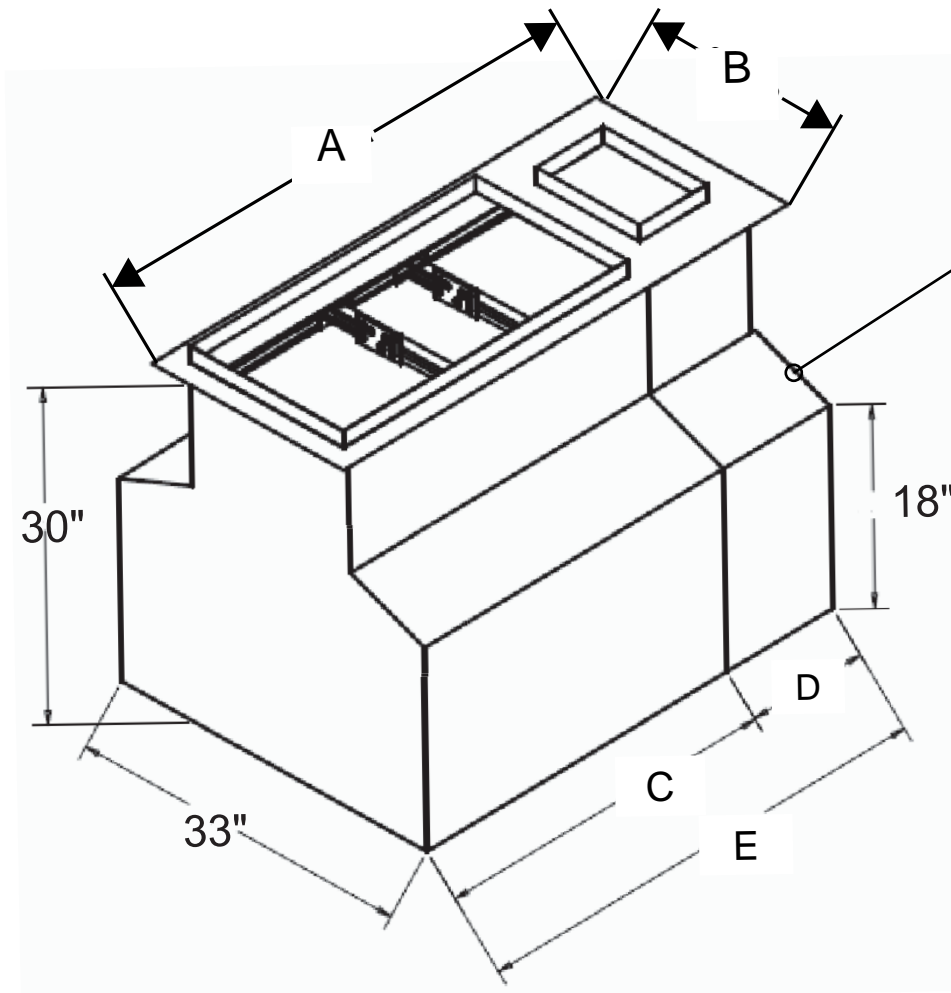


Dispenser Sump - DEF - Single Wall

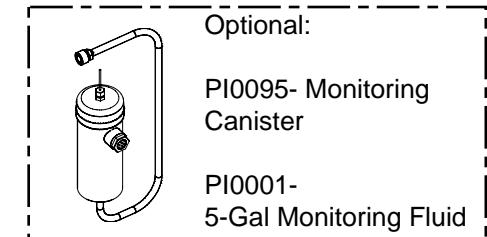
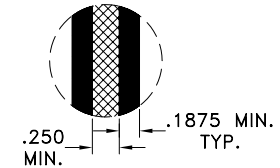


707.523.2050

Please call for any dispenser not listed:						<i>Sump w/Shear Valve Mount</i>			<i>Mount Sold Separately</i>	
DISPENSER	A	B	C	D	E	1/PRODUCT + DEF	2/PRODUCT + DEF	3/PRODUCT + DEF	BOX	MOUNT
ENCORE	45.87"	22.8"	36"	12"	48"	DMDF1836D2-ON	DMDF1836D3-ON	DMDF1836D4-ON	DMDF1836-ON	DM9815
OVATION	48.75"	19.25"	35"	9"	44"	DMDF1640D2-ON	DMDF1640D3-ON	DMDF1640D4-ON	DMDF1640-ON	DM9813



DOUBLE WALL DETAIL



Dispenser Sump - DEF - Double Wall



707.523.2050

Please call for any dispenser not listed:						<i>Sump w/Shear Valve Mount</i>			<i>Mount Sold Separately</i>	
DISPENSER	A	B	C	D	E	1/PRODUCT + DEF	2/PRODUCT + DEF	3/PRODUCT + DEF	BOX	MOUNT
ENCORE	45.87"	22.8"	36"	12"	48"	DWDF1836D2-ON	DWDF1836D3-ON	DWDF1836D4-ON	DWDF1836-ON	DM9815
OVATION	48.75"	19.25"	35"	9"	44"	DWDF1640D2-ON	DWDF1640D3-ON	DWDF1640D4-ON	DWDF1640-ON	DM9813