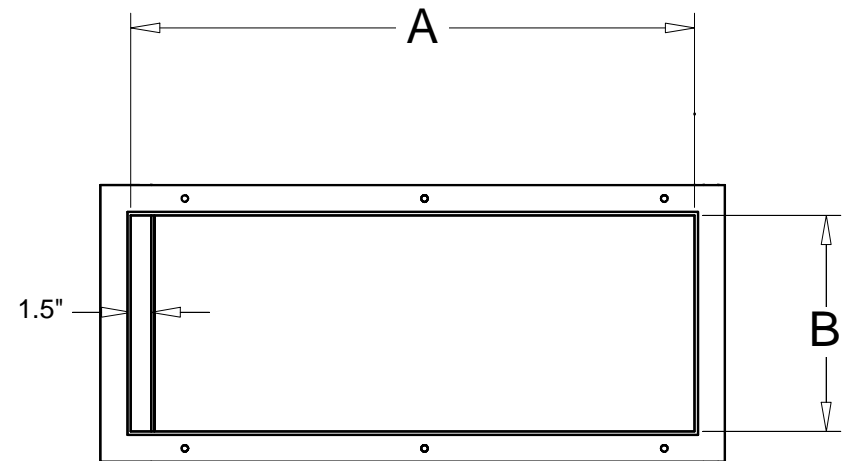
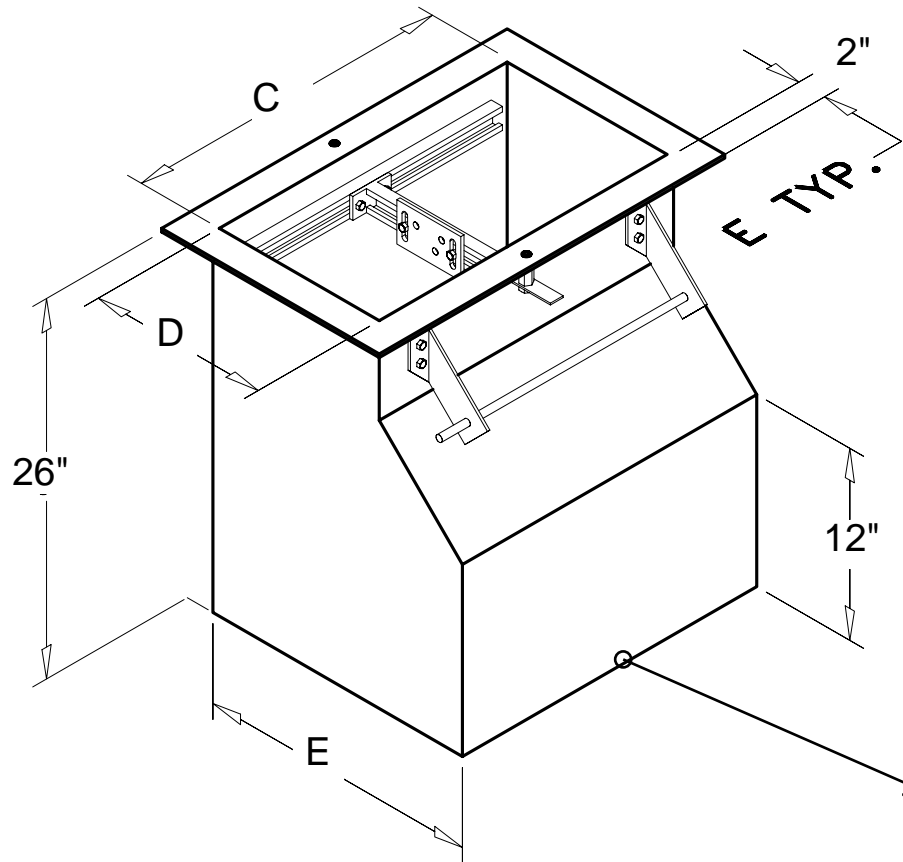


## Dispenser Sump - Single Sided - Single Wall

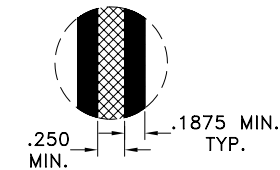


707.523.2050

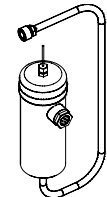
Please call for any dispenser not listed:						Box w/Shear Valve Mount Included				Mount Sold Separately	
DISPENSER	A	B	C	D	E	1/PRODUCT	2/PRODUCT	3/PRODUCT	4/PRODUCT	BOX	MOUNT
ENCORE	36"	17"	36"	18"	26"	DMSS1836D1-ON	DMSS1836D2-ON	DMSS1836D3-ON	DMSS1836D4-ON	DMSS1836-ON	DM9815
OVATION	39"	15"	40"	16"	26"	DMSS1640D1-ON	DMSS1640D2-ON	DMSS1640D3-ON	DMSS1640D4-ON	DMSS1640-ON	DM9813
HELIX	40"	17"	40"	18"	26"	DMSS1840D1-ON	DMSS1840D2-ON	DMSS1840D3-ON	DMSS1840D4-ON	DMSS1840-ON	DM9815
VISTA V595	41.5"	10.5"	42"	11"	21"	DMSS1142D1-ON	DMSS1142D2-ON	DMSS1142D3-ON	DMSS1142D4-ON	DMSS1142-ON	DM9811



DOUBLE WALL DETAIL



Optional:



PI0095- Monitoring Canister

PI0001- 5-Gal Monitoring Fluid

## Dispenser Sump - Single Sided - Double Wall



707.523.2050

Please call for any dispenser not listed:						Box w/Shear Valve Mount Included				Mount Sold Separately	
DISPENSER	A	B	C	D	E	1/PRODUCT	2/PRODUCT	3/PRODUCT	4/PRODUCT	BOX	MOUNT
ENCORE	36"	17"	36"	18"	26"	DWSS1836D1-ON	DWSS1836D2-ON	DWSS1836D3-ON	DWSS1836D4-ON	DWSS1836-ON	DM9815
OVATION	39"	15"	40"	16"	26"	DWSS1640D1-ON	DWSS1640D2-ON	DWSS1640D3-ON	DWSS1640D4-ON	DWSS1640-ON	DM9813
HELIX	40"	17"	40"	18"	26"	DWSS1840D1-ON	DWSS1840D2-ON	DWSS1840D3-ON	DWSS1840D4-ON	DWSS1840-ON	DM9815
VISTA V595	41.5"	10.5"	42"	11"	21"	DWSS1142D1-ON	DWSS1142D2-ON	DWSS1142D3-ON	DWSS1142D4-ON	DWSS1142-ON	DM9811