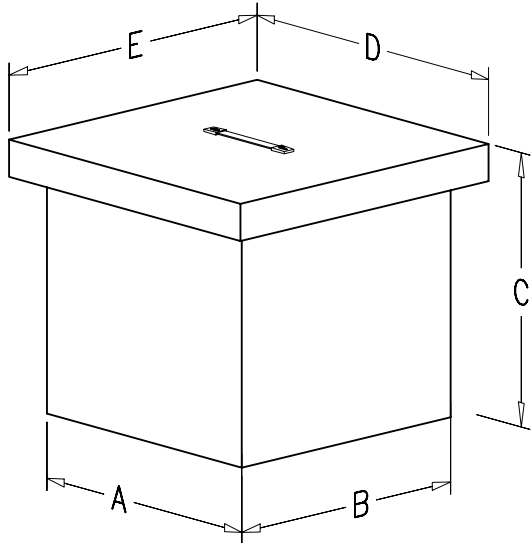


STANDARD CONFIGURATION:

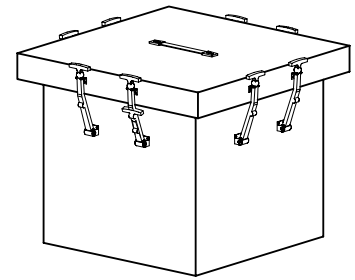
TYPE TC
FRICTION FIT LID



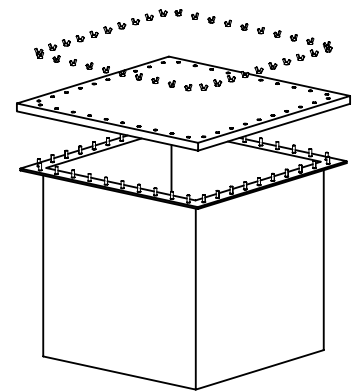
DIMENSION TABLE

A	
B	
C	
D	
E	

TYPE B
WATER RESISTANT

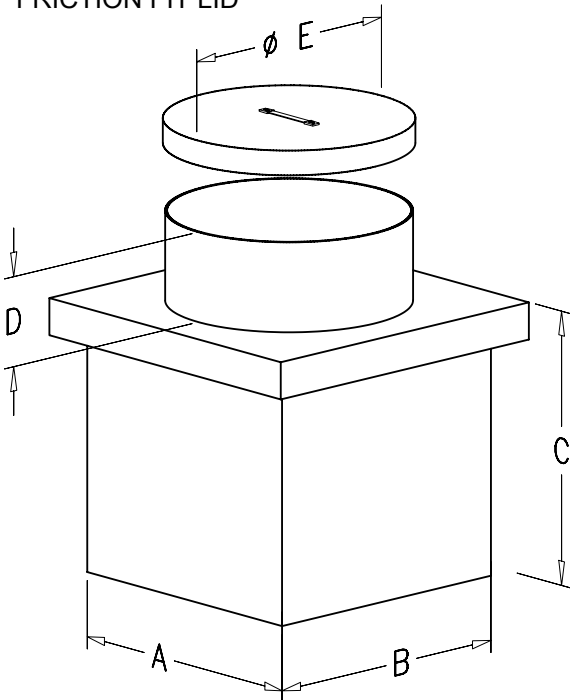


TYPE A
WATER TIGHT



OPTIONAL REDUCER CONFIGURATION:

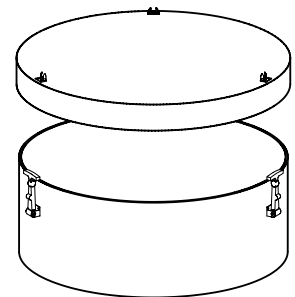
TYPE TC
FRICTION FIT LID



DIMENSION TABLE

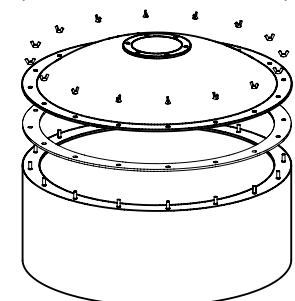
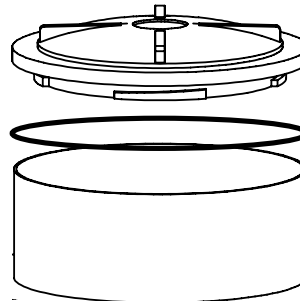
A	
B	
C	
D	
E	

TYPE B
WATER RESISTANT



TYPE A
WATER TIGHT
(OPTIONAL FLAT LID)

TWIST AND SEAL
WITH INFLATABLE SEAL



Western Fiberglass Inc.
Santa Rosa, Calif.
800 688-3375
Fax 800 700-1188
www.westernfg.com

DESCRIPTION

TRANSITION SUMP
FLAT SIDED WITH OPTIONAL REDUCER

MODEL #

PART #

DRAWN

08-23-05 DL

SCALE

SHEET

1 OF 1