



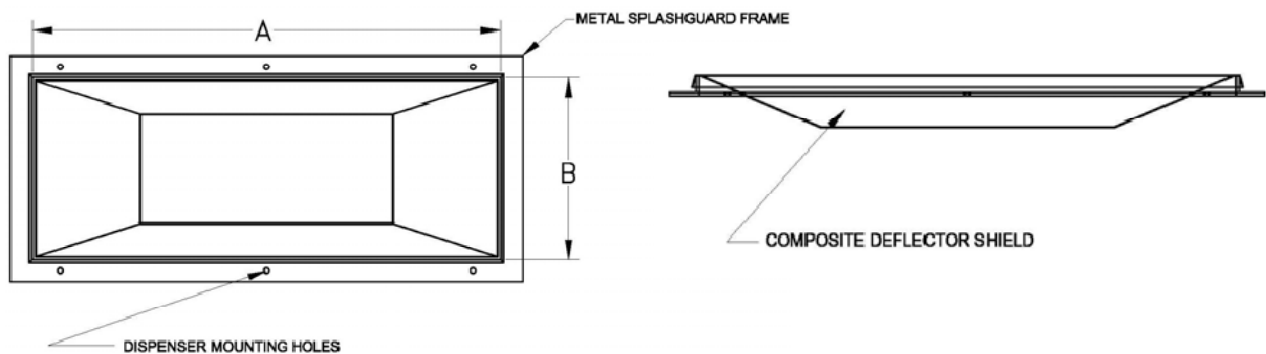
CONTACT US FOR MORE INFORMATION!
5555 Skylane Blvd., Suite A / Santa Rosa, CA 95403
Ph: (800) 688-3375 / Fx: (800) 700-1188
www.westernfg.com

New Product Announcement

August, 2008

Fiberglass UDC Transition Containment Frame

Western Fiberglass, Inc. announces a new containment frame in a fiberglass composite design called the Transition Containment Frame. The new frame allows for dispenser upgrades without the need to replace the installed underground dispenser containment. The containment frame is available in all sizes and is made-to-order based on the site details.



Until now, sites requiring dispenser upgrades were forced to also upgrade the underground dispenser containment to the size of the new dispenser. Upgrade projects required extensive excavation of the site resulting in large project costs. The Transition Containment Frame conveniently reduces time and money spent onsite by allowing an installed underground containment sump to be easily converted to fit the new dispenser.

Western Fiberglass is committed to providing high-quality products and uses UL approved materials in all steps of the manufacturing process. The Transition Containment Frame is guaranteed by a 10-year warranty.

The Transition Containment Frame has obtained California state approval as well as passed independent 3rd party testing for use with containment sumps made by Western Fiberglass and most other manufacturers.

ORDERING DETAILS

Available: July, 2008

Delivery: 1 to 2 weeks

Part Number: DM9915

How to purchase: Placement of purchase order accompanied by the "Required Ordering Info" manufacturing template. Please contact Western Fiberglass directly if you need any clarification on what information to provide: Western Fiberglass, 5555 Skylane Blvd., Suite A, Santa Rosa, CA 95403, Phone (800) 688-3375, Fax (800) 700-1188, www.westernfg.com, sales@westernfg.com